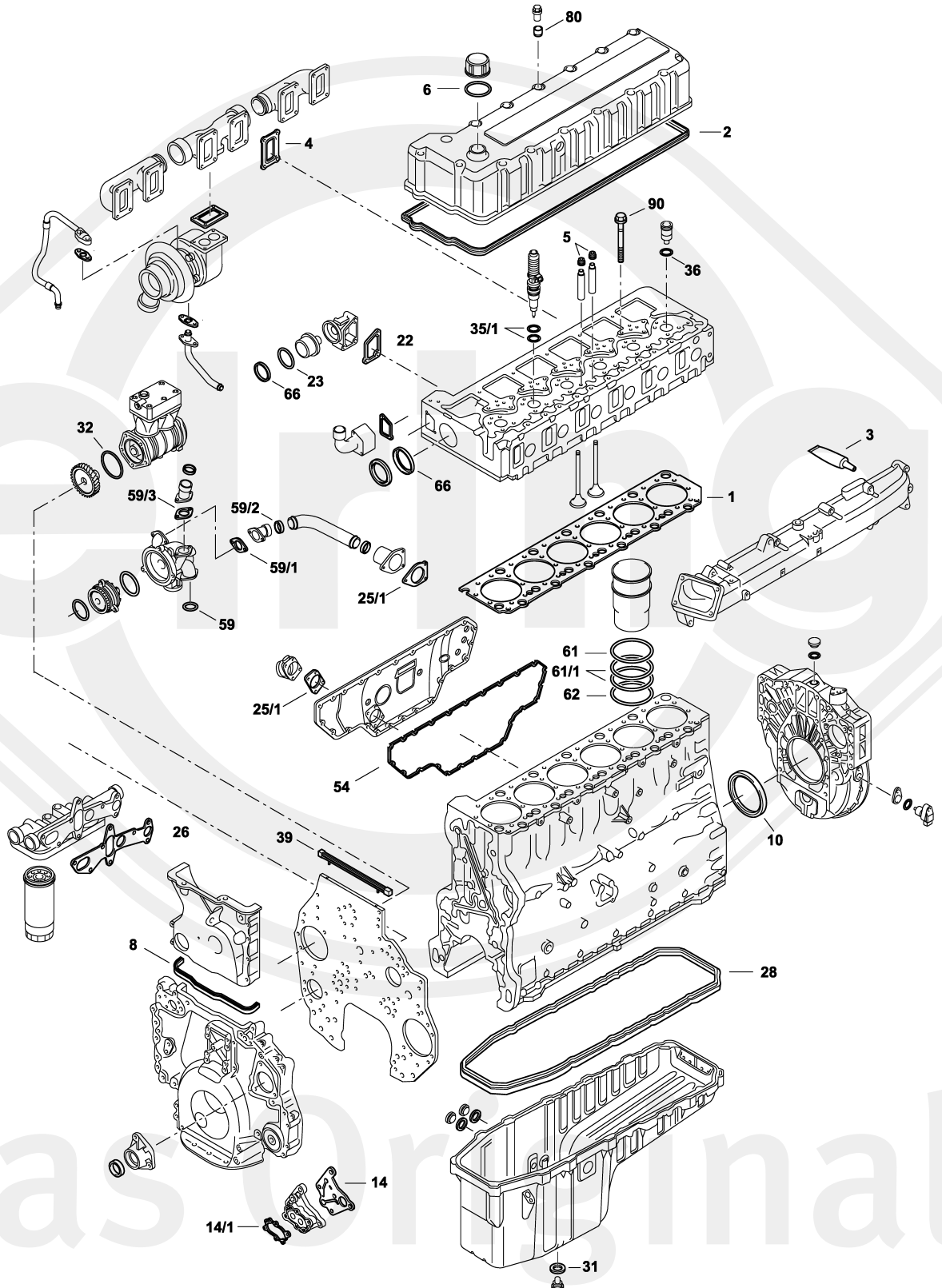




Das Original

Volvo




D 12 A





D 12 A



|       |         |     |                         |                                    |   |
|-------|---------|-----|-------------------------|------------------------------------|---|
| S ⊕ * | 392.430 | 1x  | -                       | -                                  |  115.151    390.200                |
| S ⊕ * | 138.141 | 1x  | -                       | -                                  | →  251792  005.101                |
| ES ⊕  | 390.100 | 1x  | 276 875                 | -                                  | <del></del>   <del></del>          |
| ES ⊕  | 542.391 | 1x  | -                       | -                                  |  115.151    390.200                |
| CS *  | 390.110 | 1x  | 276 888                 | -                                  | -   |
| ZKHS  | 381.390 | 1x  | -                       | -                                  | -   |
| AAS   | 390.200 | 1x  | 276 930                 | -                                  | -   |
| TLS   | 741.930 | 1x  | -                       | -                                  | -   |
| ZLBS  | 755.672 | 6x  | 270 950                 | -                                  | -   |
| ZKS   | 136.680 | 1x  | 1 547 419 (38x)         | M16x2,0x199                        | -   |
| 1     | 115.151 | 1x  | 3 099 100<br>20 415 954 | ∅ 147,3 mm   $\frac{+}{-}$ 1,25 mm | -   |
| 1     | 005.101 | 1x  | 3 093 503               | ∅ 147,3 mm   $\frac{+}{-}$ 1,25 mm |  Steel/Stahldichtung →  251792 |
| 2     | 390.050 | 1x  | 1 547 594               | -                                  | -   |
| 3     | 610.023 | 1x  | 1 161 231               | 310 ml                             |  Dirko™ HT  |
| 4     | 267.560 | 6x  | 8 170 959               | -                                  | -   |
| 5     | 104.380 | 24x | 21 501 189              | 8x12/15,4x9,5 FPM                  | -   |
| 6     | 372.750 | 1x  | 1 675 841               | 43,2x52,2x2,3 NBR A                | -   |
| 8     | 390.160 | 1x  | 1 677 556               | -                                  | →  11420   |
| 8     | 390.290 | 1x  | 8 148 490               | -                                  |  11421 →  |
| 10    | 081.460 | 1x  | 1 543 896               | 180x205x15 A/BS LD FPM             | -   |
| 10    | 453.851 | 1x  | 85 108 352              | 180x205x15 AW LD PTFE/ACM          | -   |
| 14    | 896.793 | 1x  | 3 964 833               | -                                  | -   |
| 14/1  | 390.070 | 1x  | 1 547 951               | FPM                                | -   |
| 22    | 257.880 | 1x  | 8 170 519               | -                                  | -   |
| 23    | 754.854 | 1x  | 1 544 710               | 53,1x67,58x6,35 PTFE               | -   |
| 25/1  | 390.360 | 1x  | 8 170 515               | -                                  | -   |
| 26    | 390.060 | 1x  | 1 547 776               | -                                  | -   |
| 28    | 390.040 | 1x  | 1 547 562               | -                                  | -   |
| 31    | 131.156 | 1x  | 949 329                 | 24x29x2 CU A                       | -   |



D 12 A



|      |         |     |            |                      |   |
|------|---------|-----|------------|----------------------|---|
| 32   |         | 1x  | 975 687    | -                    | - |
| 35/1 | 369.521 | 6x  | 276 948    | -                    | - |
| 36   | 390.490 | 6x  | 3 165 747  | 30x3 VMQ RD          | - |
| 39   | 390.320 | 1x  | 8 148 519  | -                    | - |
| 54   | 355.980 | 1x  | 20 712 545 | -                    | - |
| 59   |         | 1x  | 925 255    | -                    | - |
| 59/1 | 257.830 | 1x  | 8 170 514  | -                    | - |
| 59/2 | 390.030 | 1x  | 1 547 254  | 49x60x7 EPDM A       | - |
| 59/3 | 257.830 | 1x  | 8 170 514  | -                    | - |
| 61   |         | 6x  | 470 922    | 140,5x2,4 EPDM RD    |   |
| 61/1 |         | 12x | 470 190    | 142,6x5,8 FPM RD     |   |
| 62   | 813.583 | 6x  | 424 833    | 142,6x5,8 FPM RD     |   |
| 66   | 754.854 | 1x  | 1 544 710  | 53,1x67,58x6,35 PTFE | - |
| 80   | 390.260 | 16x | 3 964 604  | -                    | - |
| 90   | 136.680 | 38x | 1 547 419  | M16x2x199            | - |